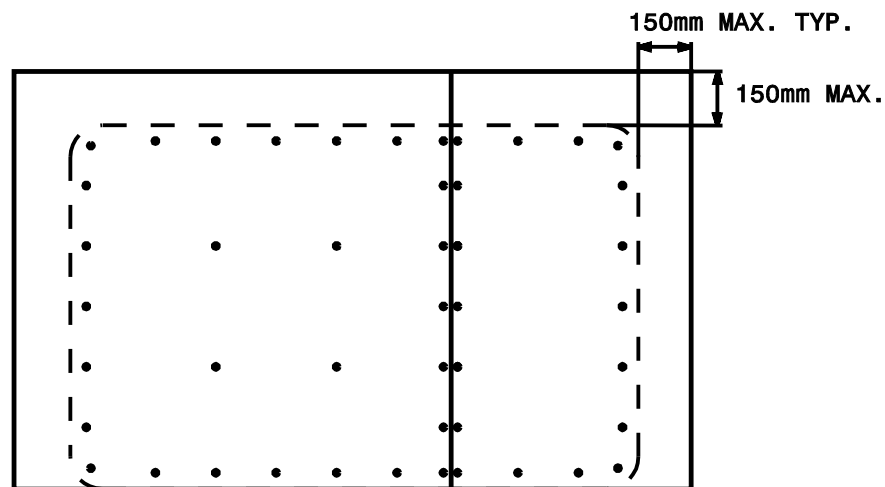
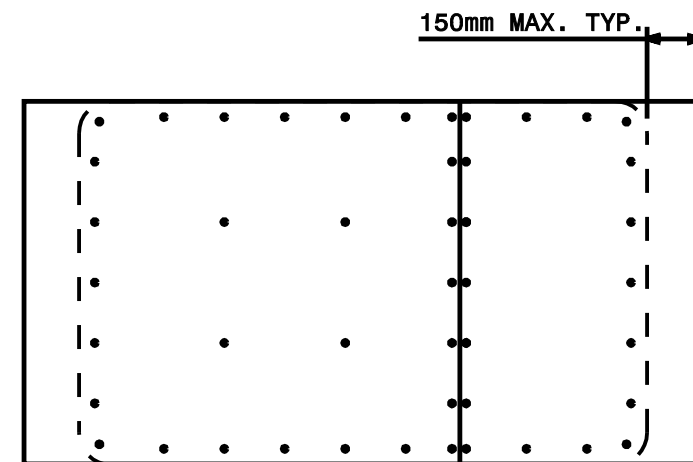


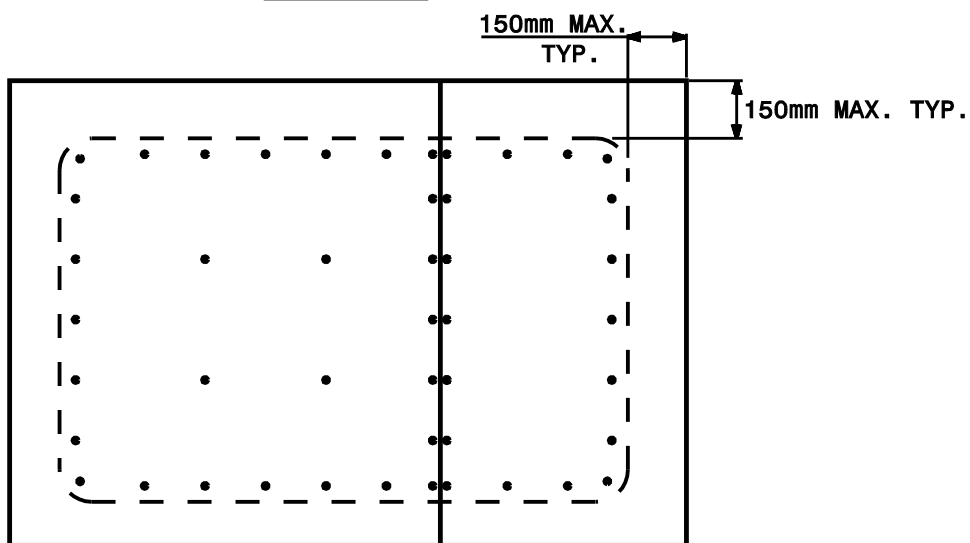
IF OVERLAYING SIGN OVERLAPS SIGN ON TOP ONLY
DETAIL NO.1



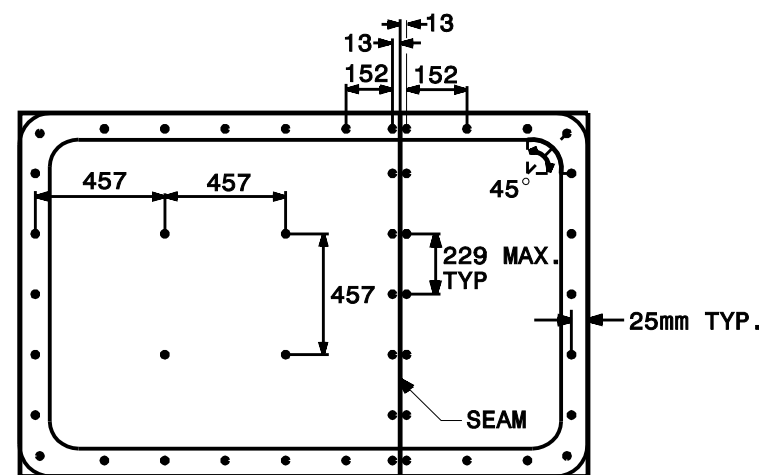
IF OVERLAYING SIGN OVERLAPS SIGN ON TOP AND SIDES
DETAIL NO.2



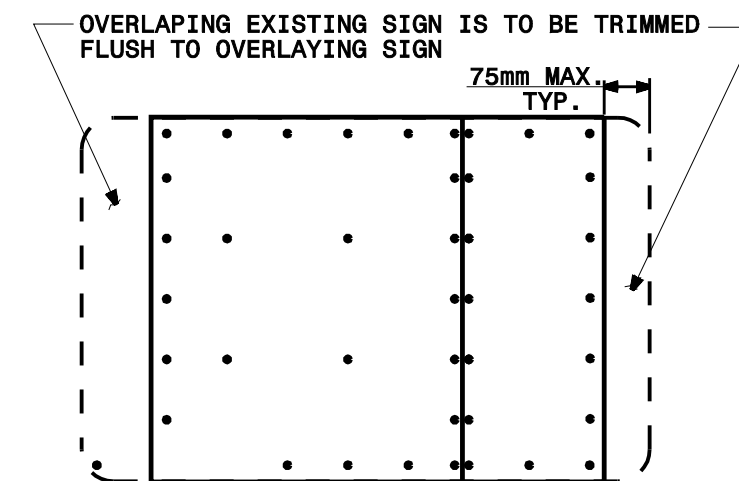
IF OVERLAYING SIGN OVERLAPS SIGN ON TWO SIDES
DETAIL NO.3



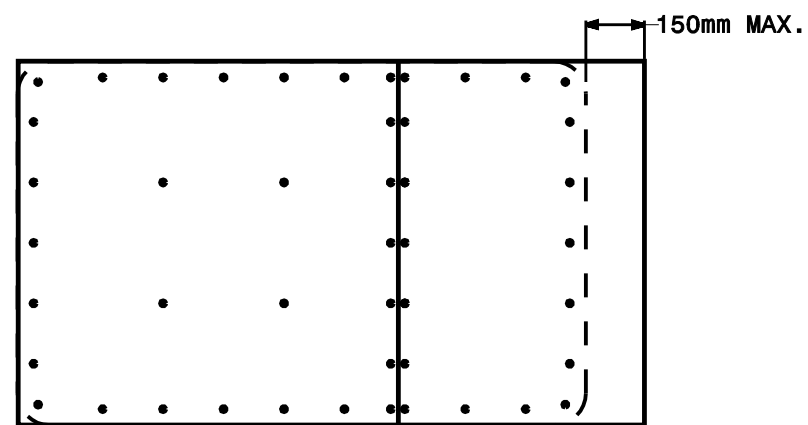
IF OVERLAYING SIGN OVERLAPS SIGN ON FOUR SIDES
DETAIL NO.4
(NOT TO BE USED ON OVERHEAD SIGNS)



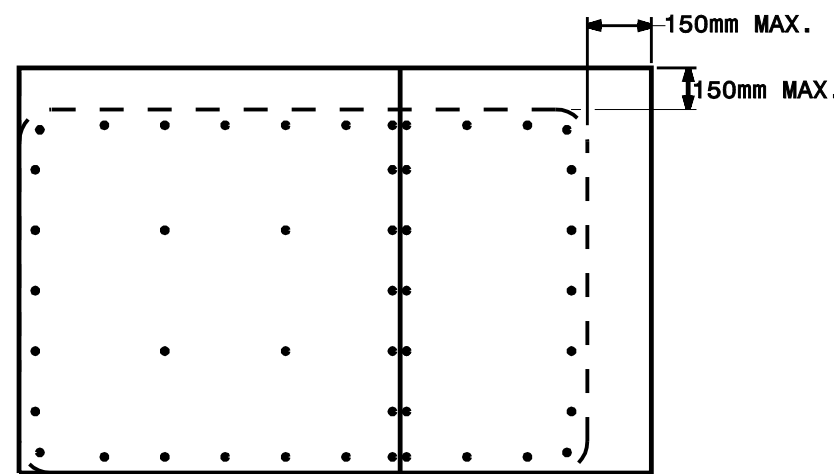
TYPICAL RIVET SPACING FOR OVERLAY SIGNS
DETAIL NO.5



IF EXISTING SIGN OVERLAPS OVERLAYING SIGN
DETAIL NO.6



IF OVERLAYING SIGN OVERLAPS SIGN ON ONE SIDE
DETAIL NO.7



IF OVERLAYING SIGN OVERLAPS SIGN ON TOP AND ONE SIDE
DETAIL NO.8

Note:
This drawing is dimensioned in millimeters unless otherwise depicted within the drawing.