

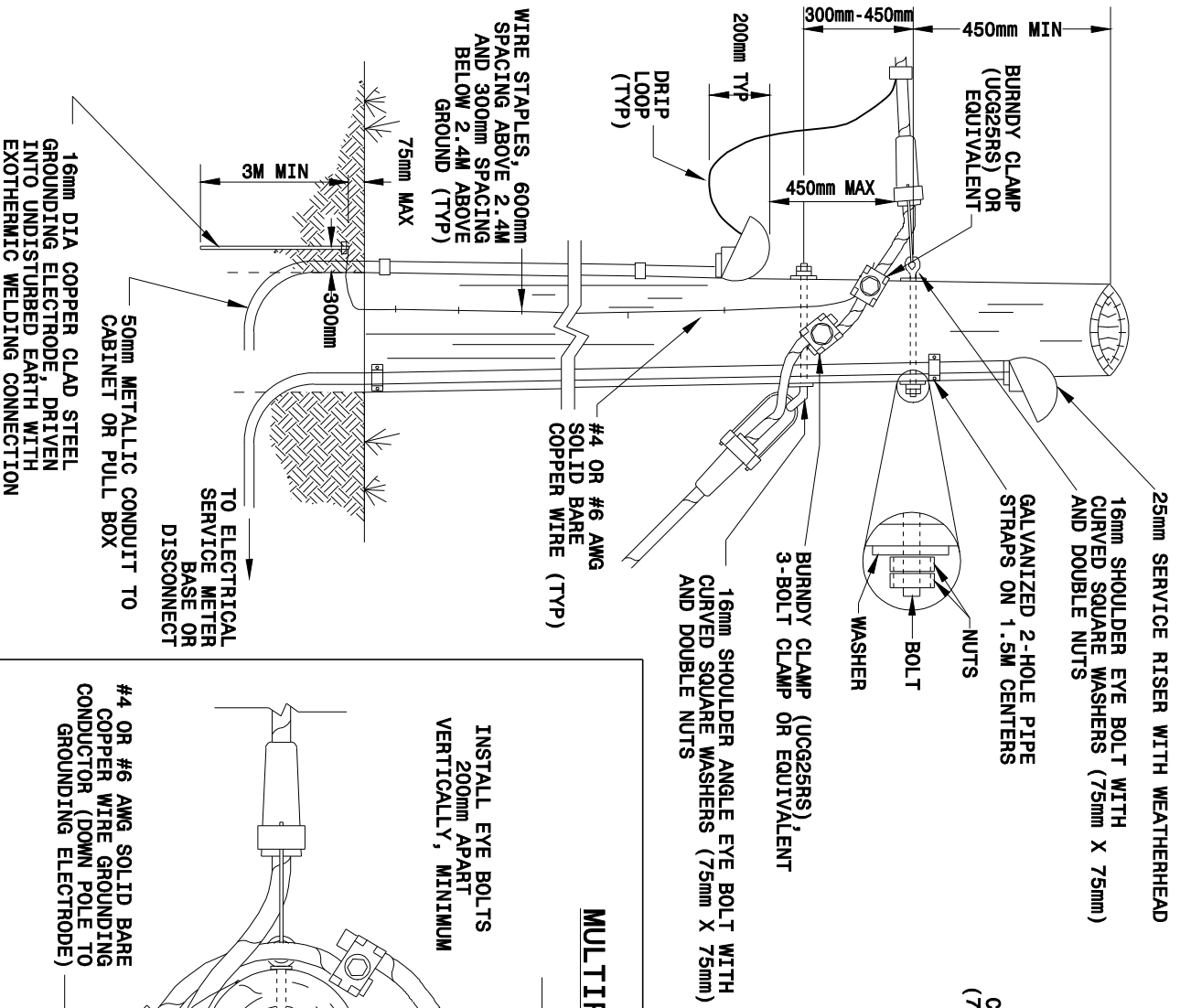
7-06

ENGLISH STANDARD DRAWING FOR
WOOD POLES
METHODS OF ATTACHMENT AND GROUNDING

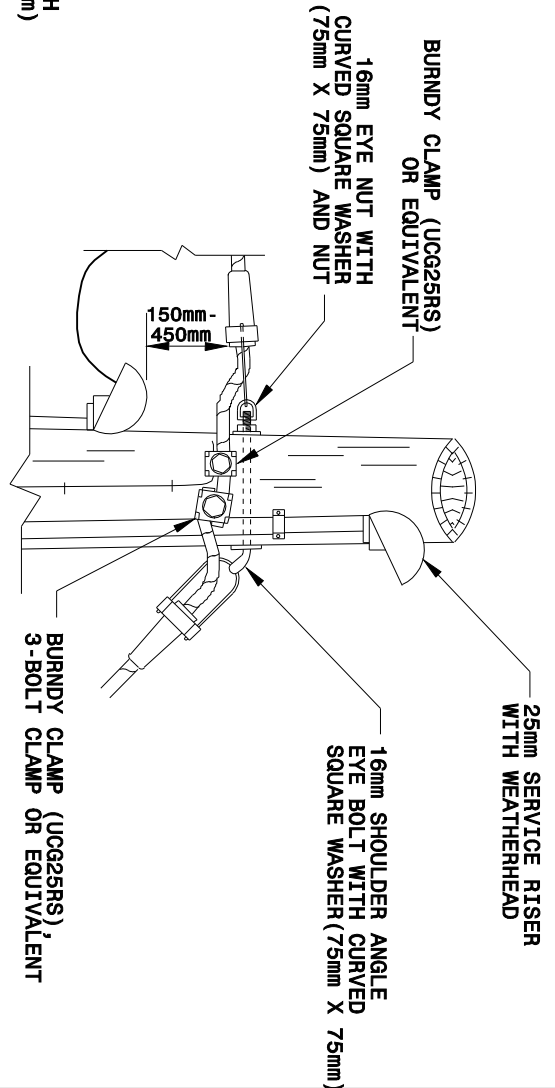
SHEET 1 OF 1

1720.01

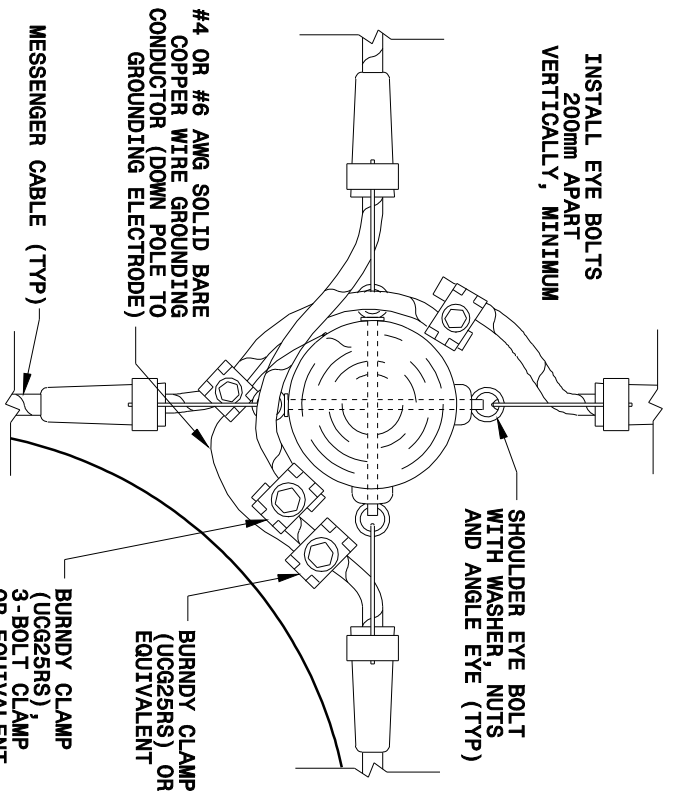
TWO-BOLT METHOD (PREFERRED)



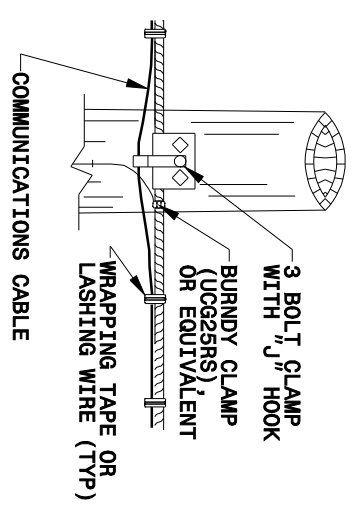
ONE-BOLT METHOD



MULTIPLE SPANS



COMMUNICATIONS CABLE AT INTERMEDIATE POLE



NOTE

FOR CONNECTING MESSENGER TO MESSENGER, USE BURNDY CLAMP (UCG25RS), 3-BOLT CLAMP OR EQUIVALENT. FOR CONNECTING COPPER WIRE TO MESSENGER, USE BURNDY CLAMP (UCG25RS) OR EQUIVALENT.

7-06

SHEET 1 OF 1

1720.01