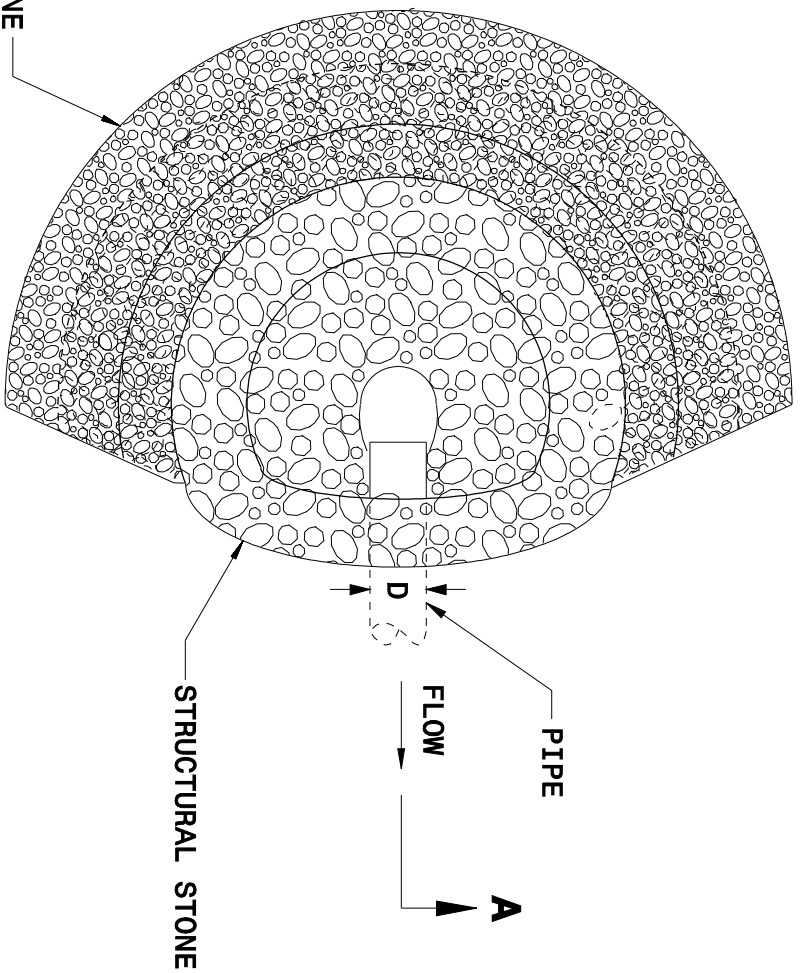
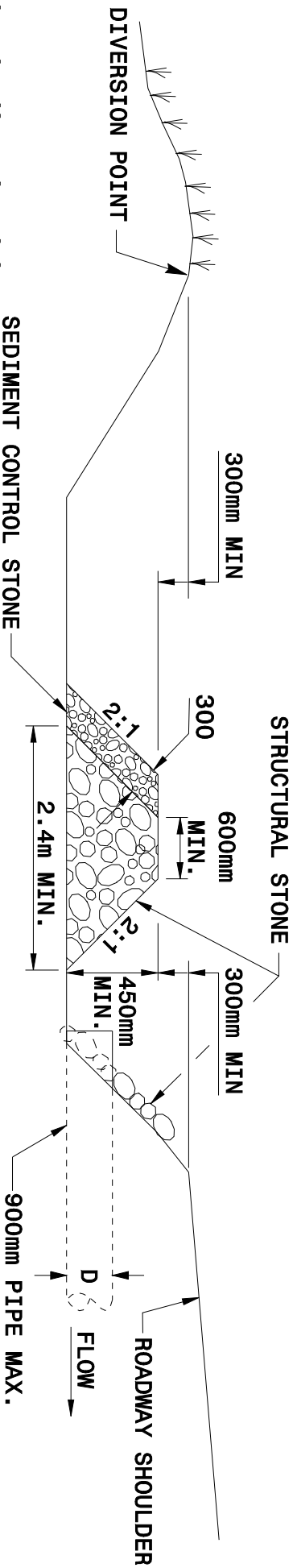


METRIC STANDARD DRAWING FOR
**ROCK PIPE INLET
SEDIMENT TRAP TYPE 'A'**

NOTE:
USE CLASS B STONE FOR STRUCTURAL STONE PAY FOR AT THE CONTRACT UNIT PRICE PER TON STONE FOR EROSION CONTROL CLASS B
USE NO. 5 OR NO. 57 STONE FOR SEDIMENT CONTROL PAY FOR AT THE CONTRACT UNIT PRICE PER TON SEDIMENT CONTROL STONE.
CONSTRUCT TOP OF BERM A MINIMUM OF 300mm BELOW THE SHOULDER OR DIVERSION POINT.
PROVIDE A TOTAL SEDIMENT TRAP VOLUME OF 3400± CUBIC METERS PER HECTARE OF DISTURBED AREA. SOME OF THE REQUIRED VOLUME MAY BE PROVIDED BY UP OR DOWNSTREAM CONTROLS.



PLAN



SECTION A-A

Note:
This drawing is dimensioned in millimeters unless otherwise depicted within the drawing.