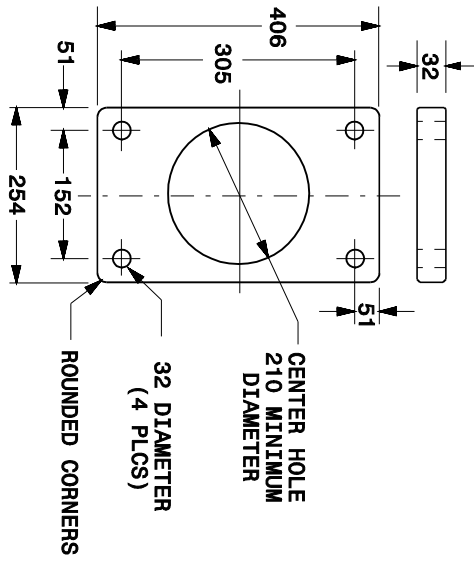
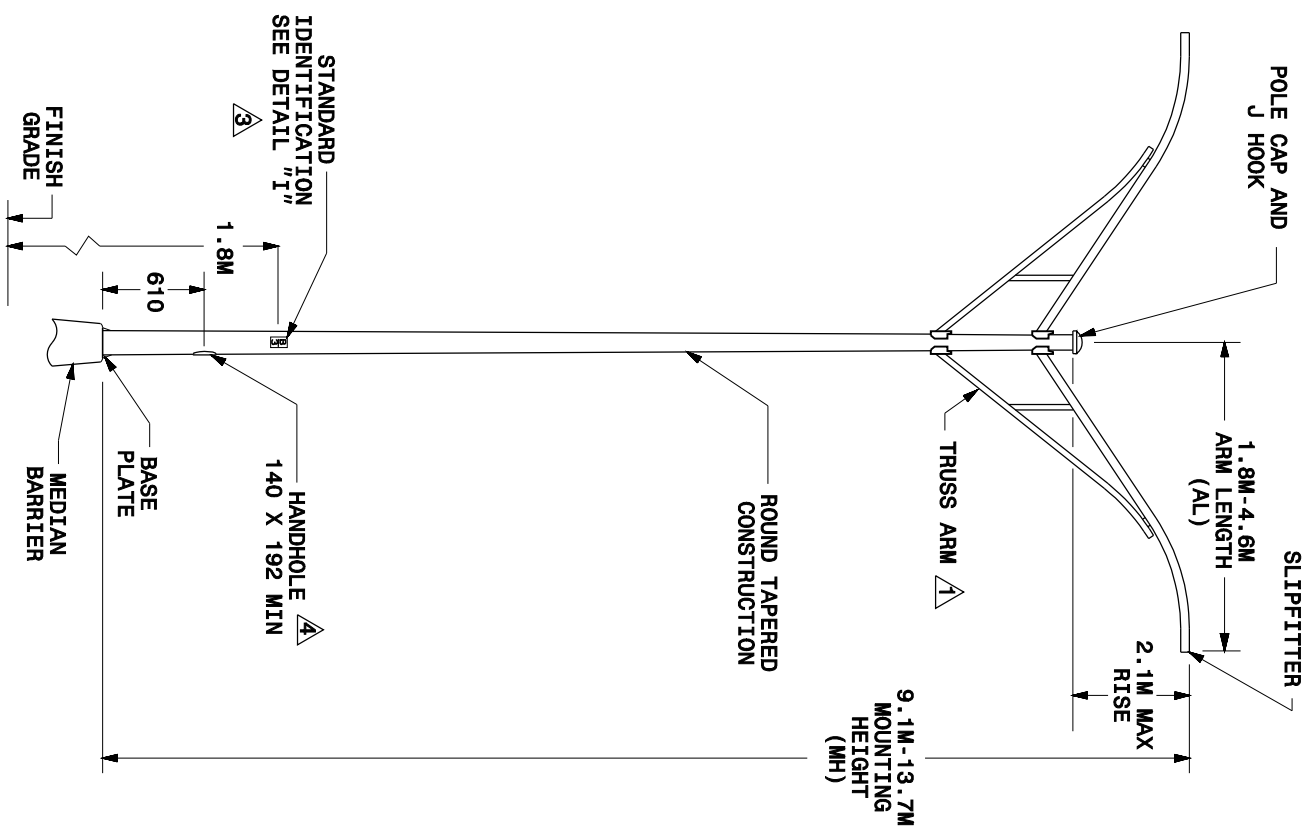


METRIC STANDARD DRAWING FOR
LIGHT STANDARDS
TWIN-ARM



BASE PLATE DETAIL
ALL DIMENSIONS ARE EXACT

- NOTES**
- 1 SINGLE-MEMBER ARMS MAY BE PROVIDED IN LIEU OF TRUSS ARMS, WHEN SPECIFIED ARM LENGTH IS 2.4M OR LESS AND MOUNTING HEIGHT IS 10.7M OR LESS.
 - 2 INSERT MOUNTING HEIGHT (MH) AND ARM LENGTH (AL) FROM PAY ITEM DESCRIPTION TO DETERMINE PROPOSED TWIN-ARM LIGHT STANDARDS.
 - 3 SEE SHEET 1 OF 3 FOR DETAIL "1".
 - 4 PROVIDE ACCESSIBLE GROUNDING LUG INSIDE.
 - 5 SQUARE BASE PLATE REQUIRED FOR TWIN-ARM STANDARDS INSTALLED ON TYPE R1 OR R2 FOUNDATION WITH BREAKAWAY BASE. SEE PLANS FOR LOCATIONS.

Note:
This drawing is dimensioned in millimeters unless otherwise depicted within the drawing.

TWIN-ARM LIGHT STANDARD
TYPE MTLT (MH) TA (AL)