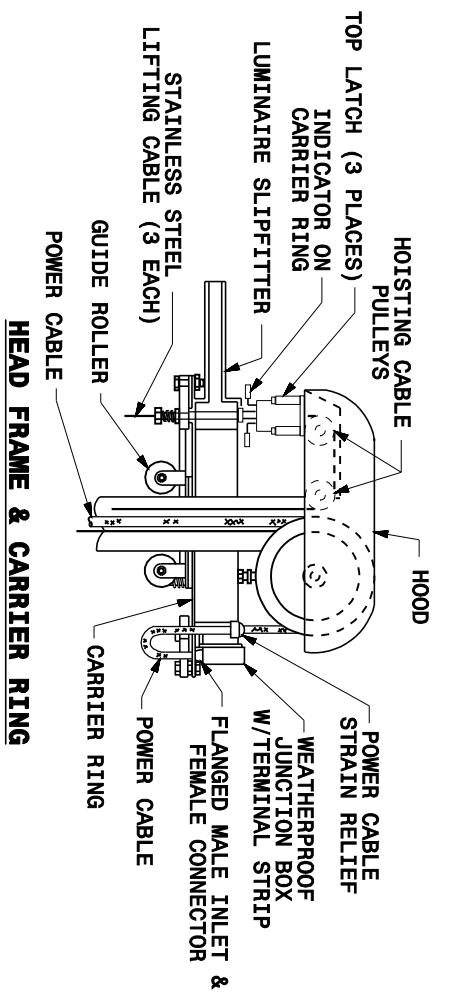
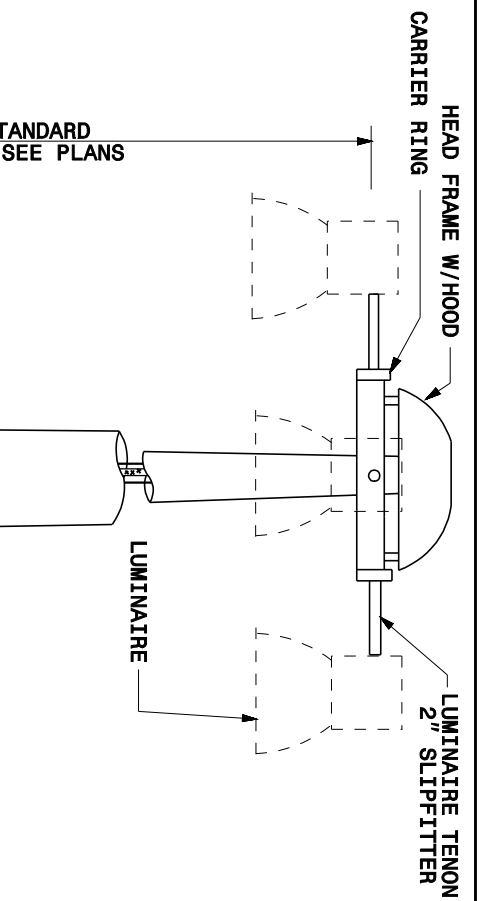
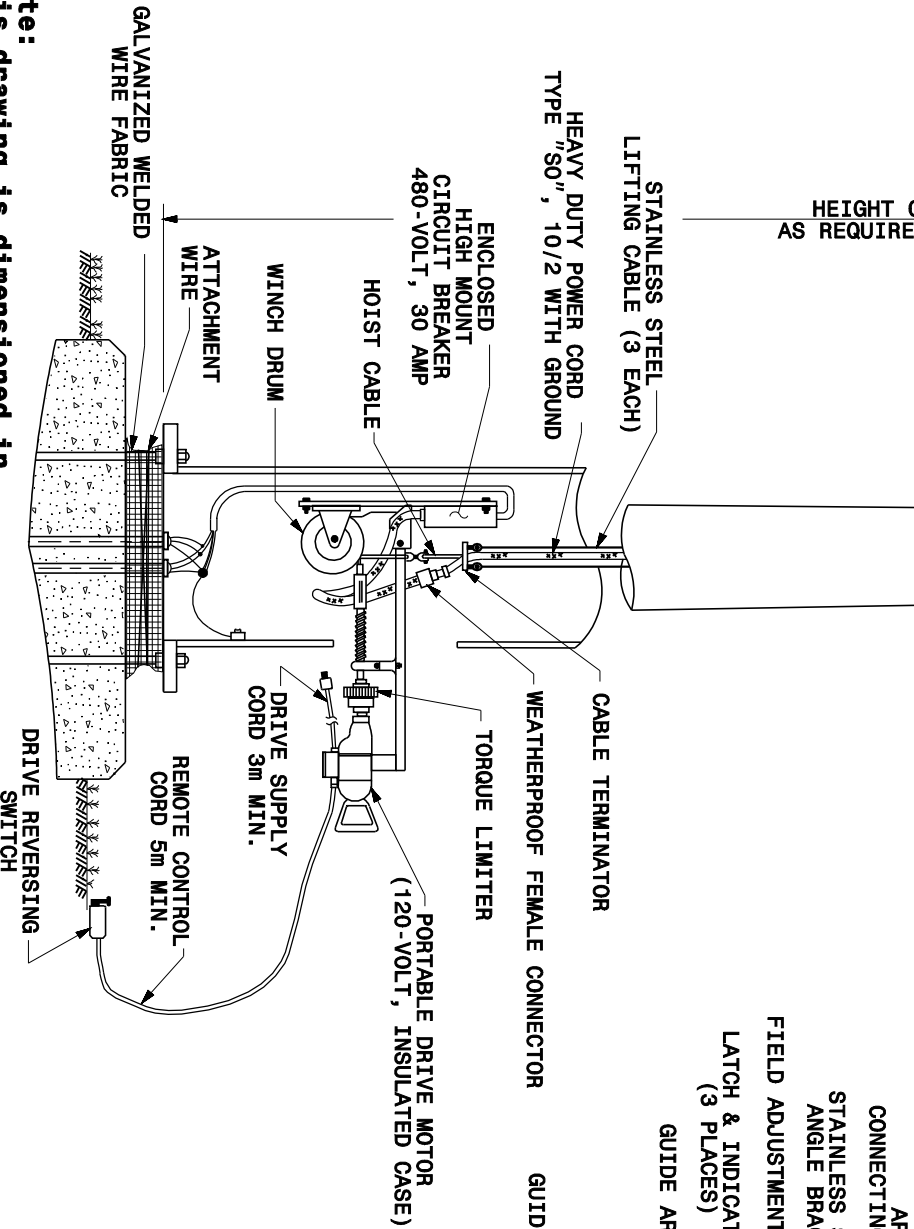


1-08

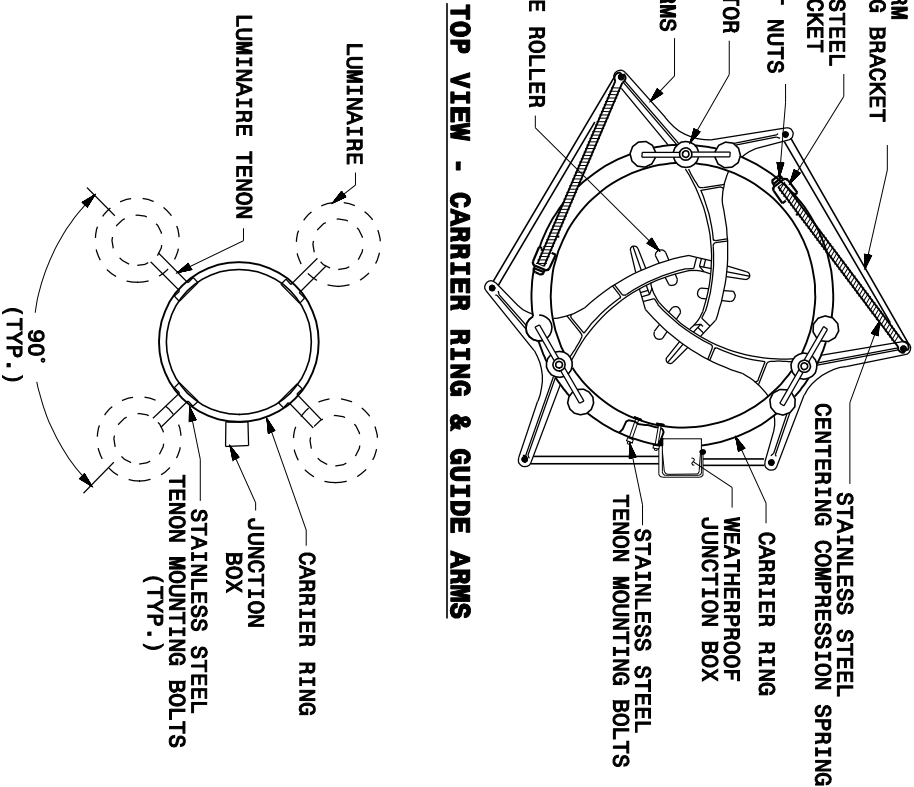
METRIC STANDARD DRAWING FOR
HIGH MOUNT STANDARD
ASSEMBLY



HEAD FRAME & CARRIER RING



TOP VIEW - CARRIER RING & GUIDE ARMS



METRIC STANDARD DRAWING FOR
HIGH MOUNT STANDARD
ASSEMBLY

1-08

Note:
This drawing is dimensioned in
millimeters unless otherwise
depicted within the drawing.