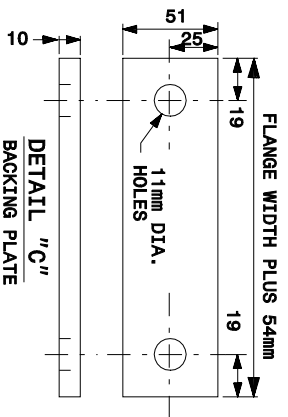
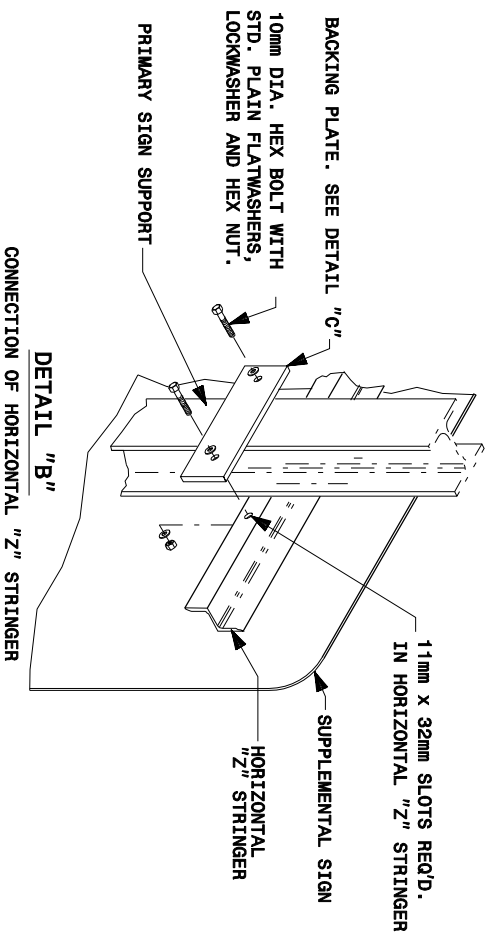
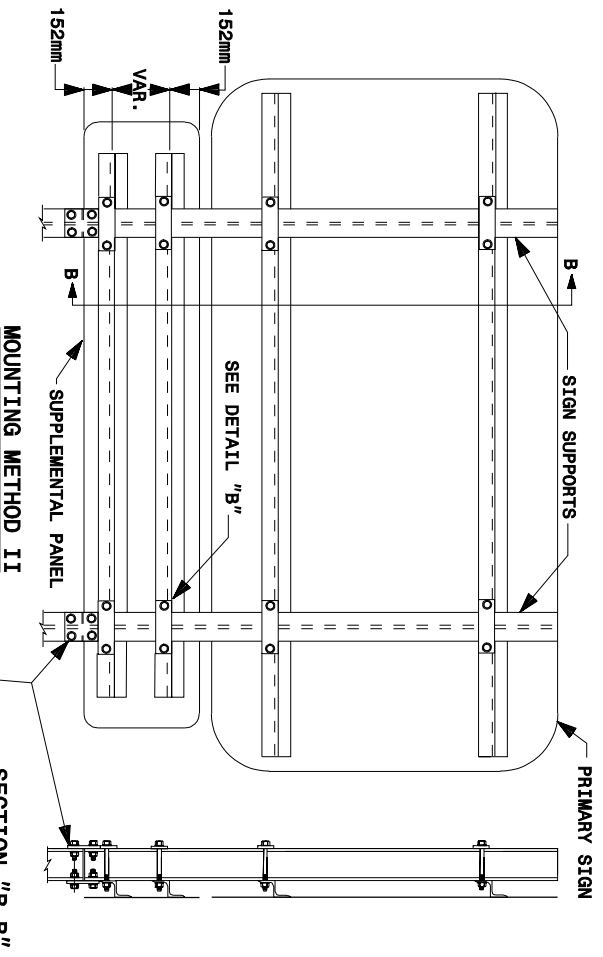
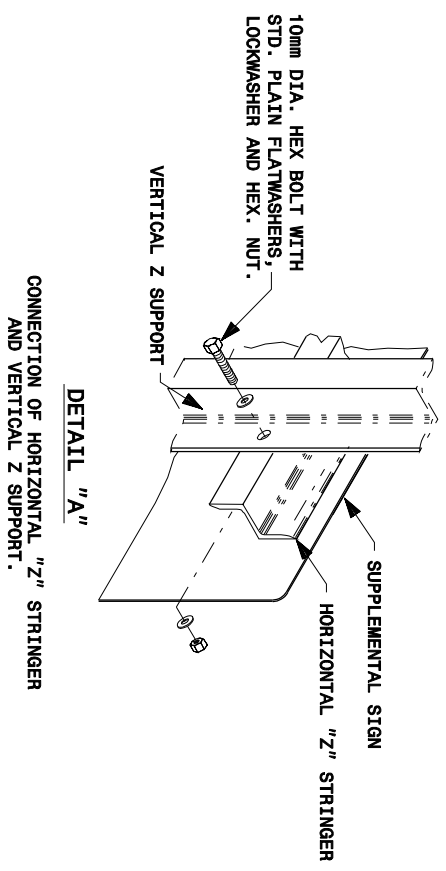
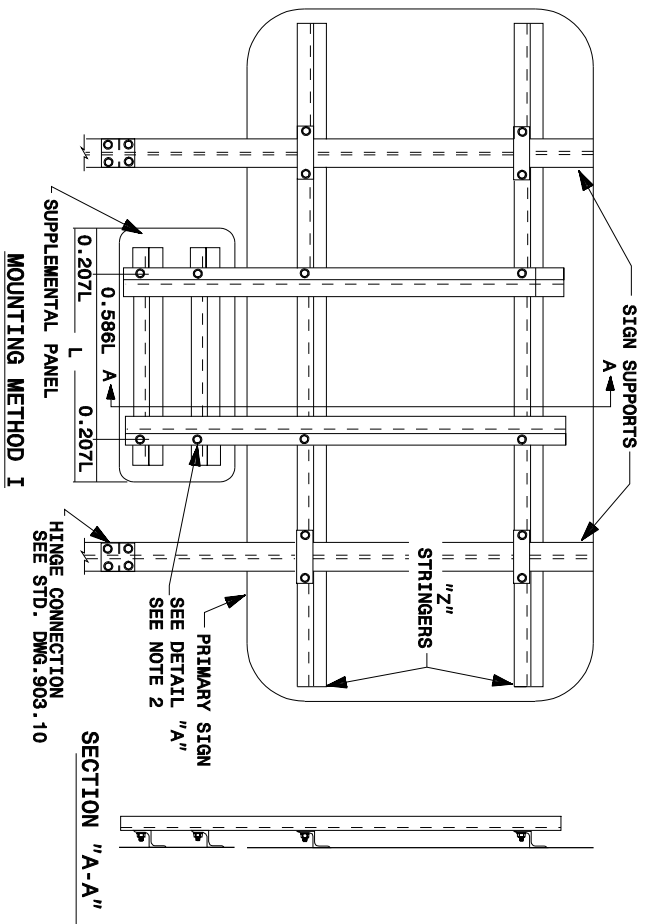


7-06

METRIC STANDARD DRAWING FOR  
**SUPPLEMENTAL SIGN MOUNTING**

904.30



- NOTES:
1. FABRICATE VERTICAL AND HORIZONTAL "Z'S" OF ALUM. Z 76mm x 68mm x 6mm x 3.48 KG/M.
  2. ATTACH VERTICAL "Z" SUPPORT TO BOTTOM TWO HORIZONTAL STRINGERS ON BACK OF PRIMARY SIGN.
  3. SLOTS ARE NOT ALLOWED IN HORIZONTAL STRINGERS FOR ATTACHMENT OF VERTICAL "Z" SUPPORTS.
  4. THE HINGE CONNECTION IS LOCATED AT THE BOTTOM OF THE SUPPLEMENTAL PANEL FOR BREAKAWAY SUPPORTS.

Note:  
This drawing is dimensioned in millimeters unless otherwise depicted within the drawing.

7-06

METRIC STANDARD DRAWING FOR  
**SUPPLEMENTAL SIGN MOUNTING**

904.30