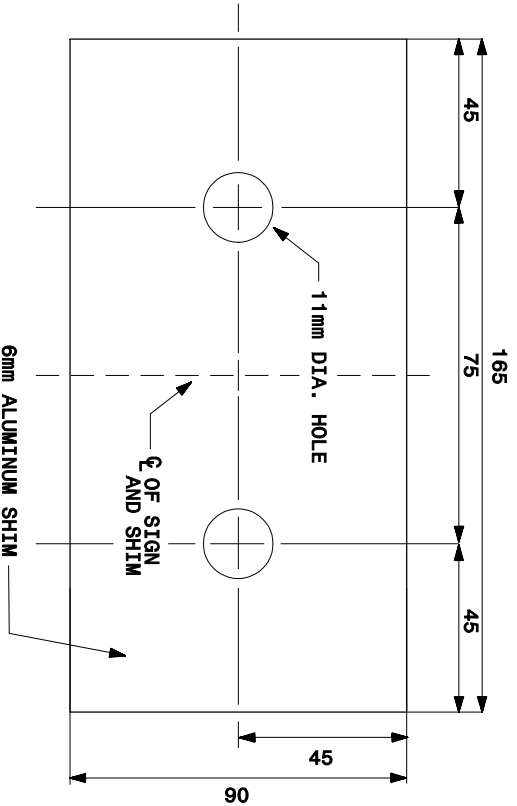
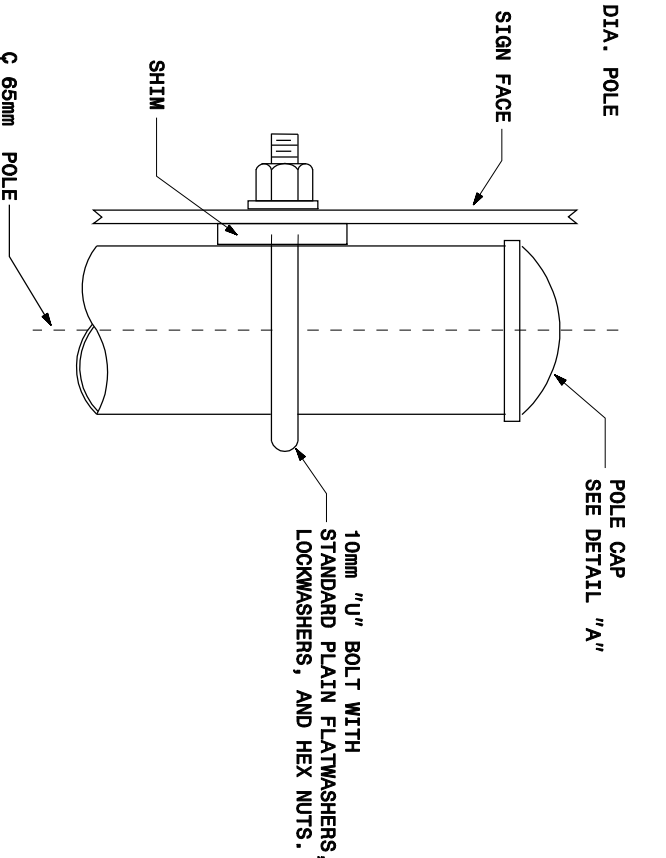
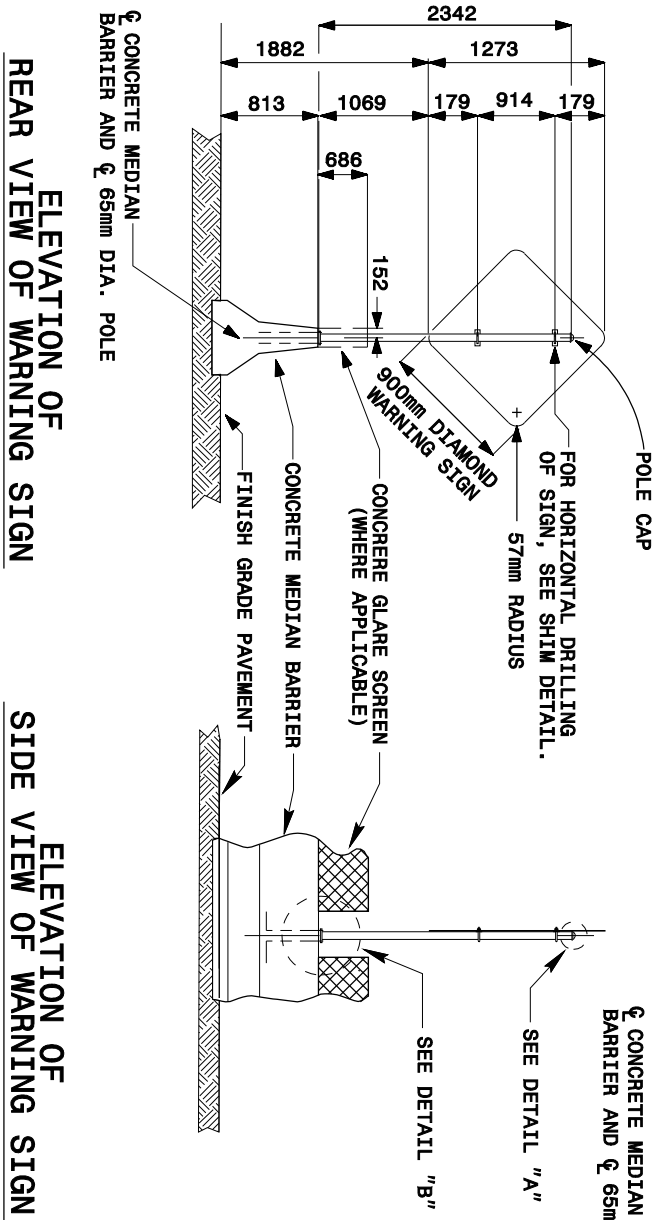


METRIC STANDARD DRAWING FOR  
**MEDIAN BARRIER SIGN SUPPORT  
AND ANCHORAGE**



ELEVATION OF  
REAR VIEW OF WARNING SIGN

ELEVATION OF  
SIDE VIEW OF WARNING SIGN

ALUMINUM SHIM DETAIL

NOTES:

1. FURNISH ONE SET OF SIGN SUPPORTS FOR EACH SIGN.
2. FURNISH ALL MOUNTING HARDWARE.
3. THE NORTH CAROLINA DEPARTMENT OF TRANSPORTATION WILL FURNISH SIGNS.
4. USE ASTM A-36 STEEL GALVANIZED "U" BOLTS AND NUTS IN ACCORDANCE WITH ASTM A-153.
5. USE ASTM A-36 ANCHOR BOLTS, GALVANIZED IN ACCORDANCE WITH ASTM A-153. OVERALL LENGTH OF ANCHOR BOLTS IS 686mm. ANCHOR BOLT PROJECTION, EMBEDMENT, AND HOOK TO BE AS SHOWN ON PLANS.  
OR,  
USE 16mm x 194mm DRILLED ADHESIVE ANCHOR GALVANIZED TO ASTM A-153. EACH ANCHOR SHALL BE PROVIDED WITH TWO (2) NUTS, ONE (1) FLAT WASHER, AND ONE (1) LOCK WASHER.

Note:  
This drawing is dimensioned in millimeters unless otherwise depicted within the drawing.