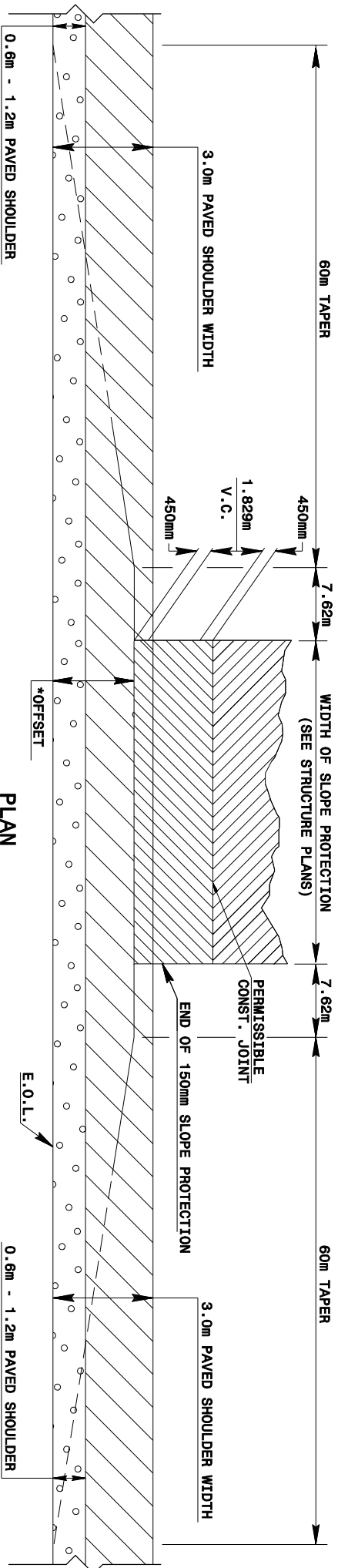
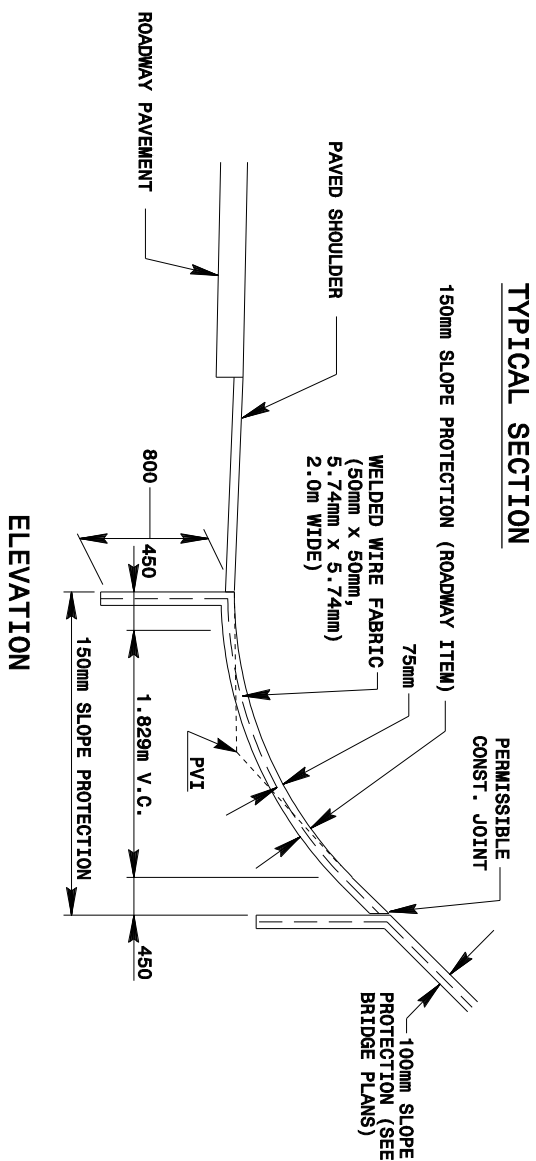
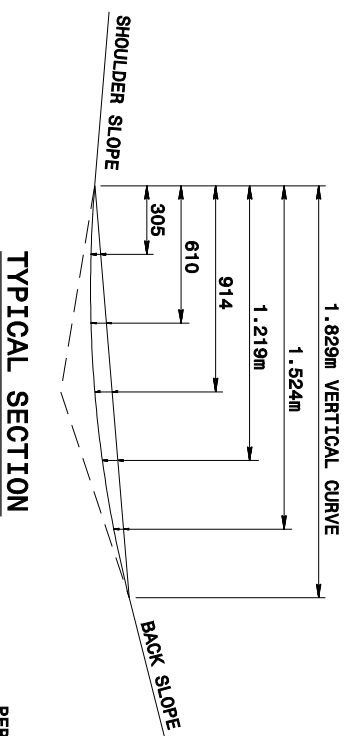


METRIC STANDARD DRAWING FOR
**GUIDE FOR PAVING
SHOULDERS UNDER BRIDGES**
METHOD III

HORZ. DIM.	1.5:1 BACK SLOPE									
	SHOULDER SLOPE									
305	.04	.03	.02	.01	.00	-.01	-.02	-.03	-.04	-.05
610	79	82	82	82	85	85	85	88	91	94
914	128	128	131	134	134	137	140	140	143	146
1219	143	146	149	149	152	155	158	158	162	165
1524	128	128	131	134	134	137	140	140	143	146
	79	82	82	82	85	85	85	88	91	94

HORZ. DIM.	2:1 BACK SLOPE									
	SHOULDER SLOPE									
305	.04	.03	.02	.01	.00	-.01	-.02	-.03	-.04	-.05
610	58	61	61	61	64	64	67	67	70	70
914	94	94	98	101	101	104	107	107	110	113
1219	107	107	110	113	116	116	119	122	125	125
1524	94	94	98	101	101	104	107	107	110	113
	58	61	61	61	64	64	67	67	70	70

VERTICAL CURVE OFFSET
(FOR 1.829m V.C. AT BRIDGES)



Note:
This drawing is dimensioned in millimeters unless otherwise depicted within the drawing.

- NOTES:**
- PAVE THE FULL WIDTH OF THE SHOULDER AS SHOWN WITH SHOULDER PAVEMENT MATERIAL AS SHOWN ON PLANS.
 - OFFSET BASED ON BRIDGE POLICY (SEE BRIDGE PLANS).
 - PROTECT SLOPE WITH REINFORCED CONCRETE PAVING. CONCRETE BLOCK PAVING WILL NOT BE PERMITTED.
 - OFFSETS FOR 1.829m V.C. DENOTES FINISHED GRADE OF SLOPE PROTECTION.