

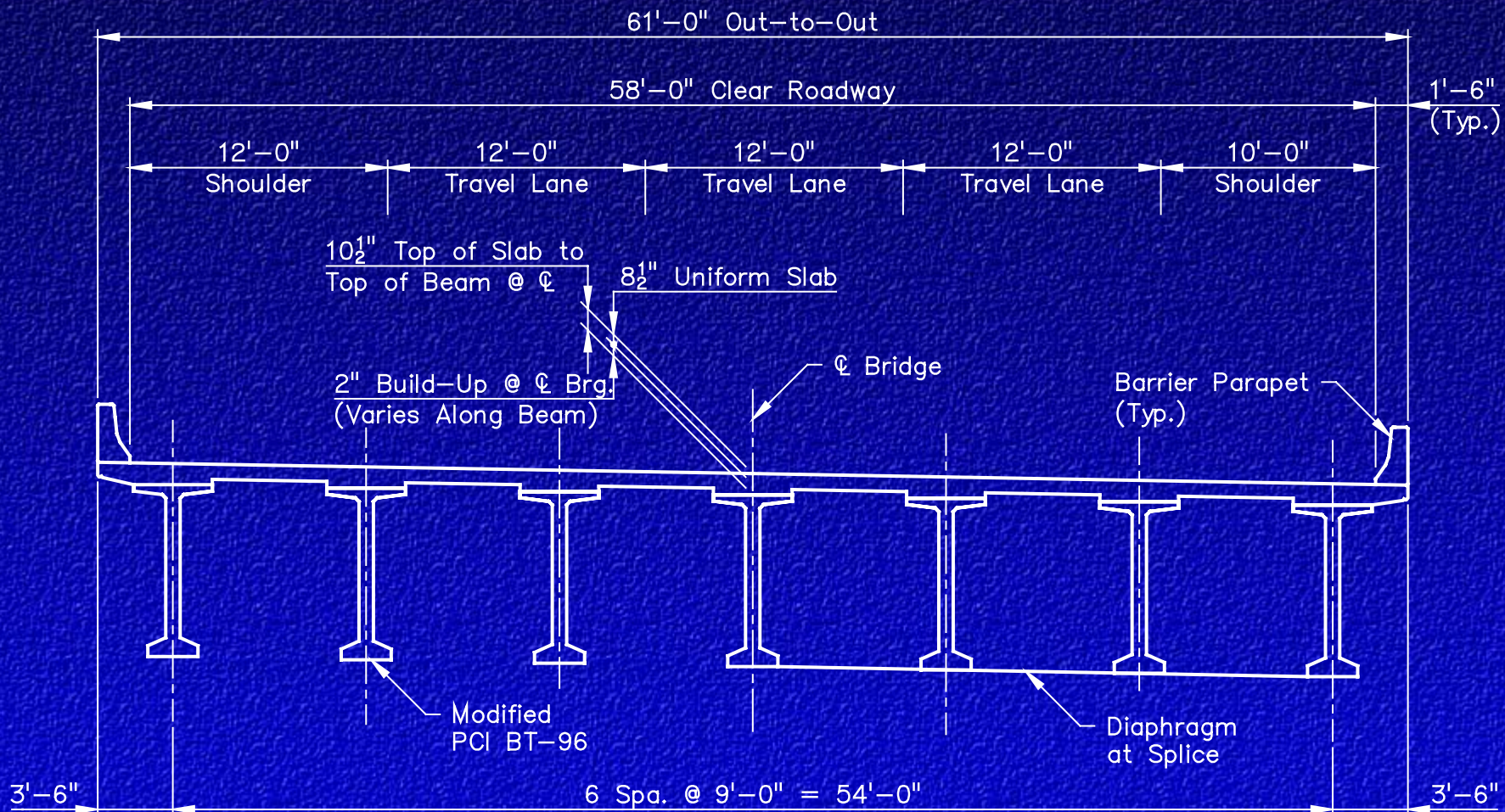
Comprehensive Design Examples

Design Examples

All three are spliced girders

- ***Simple span spliced PCI BT-96 girder***
- ***Two-span spliced U-beam girder***
- ***Continuous three span girder***

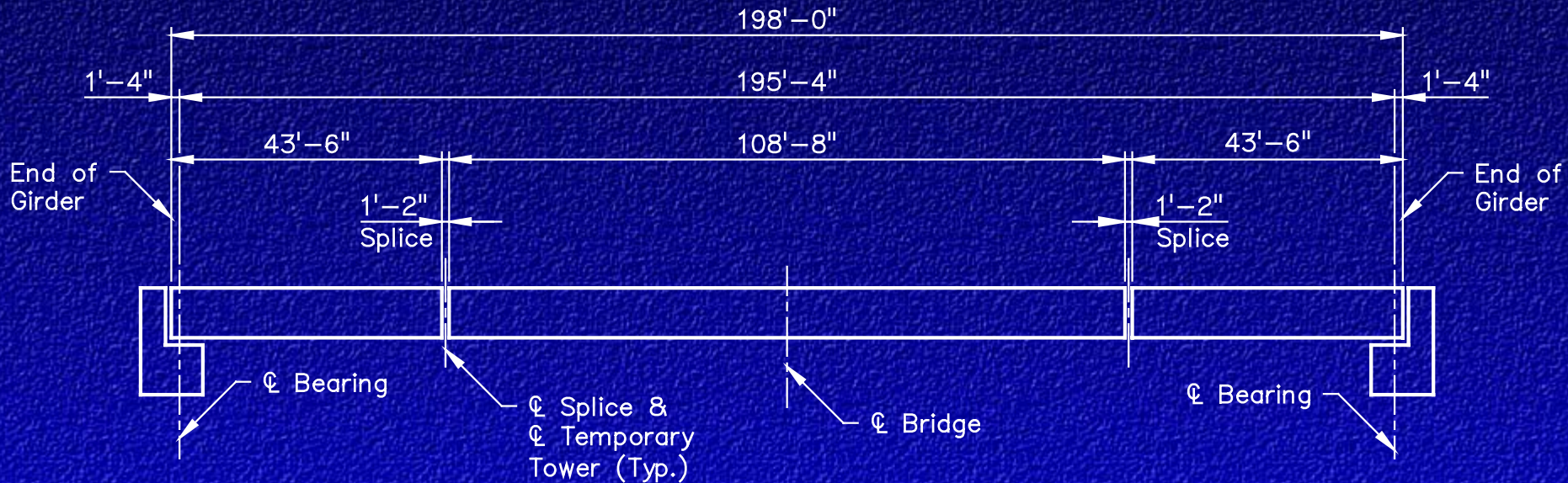
Simple Span Design Example



TYPICAL HALF SECTION

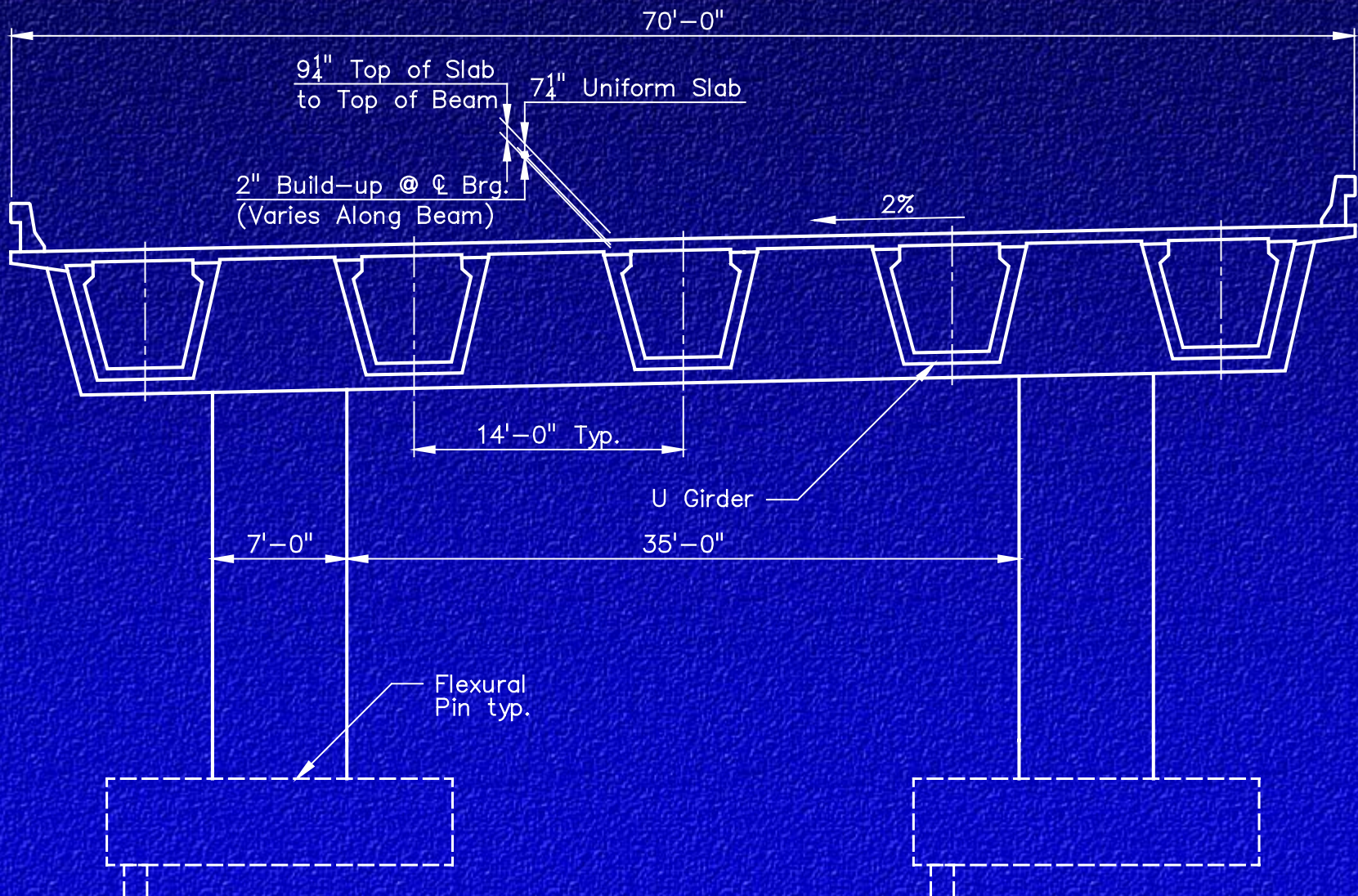
HALF SECTION AT SPLICE

Simple Span Design Example

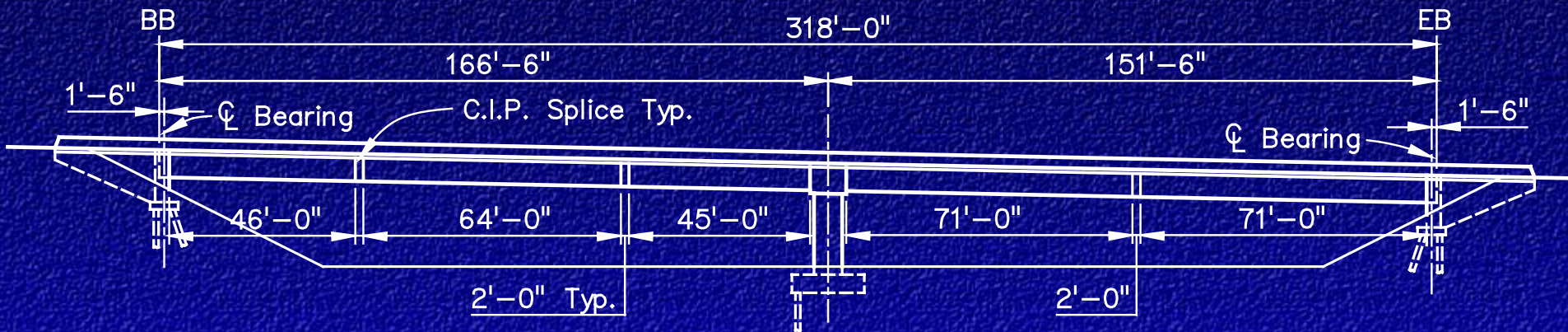


- **Three girder segments**
- **Falsework towers at splices**
- **All six tendons are stressed after splices and deck are cast**

Two Span Design Example

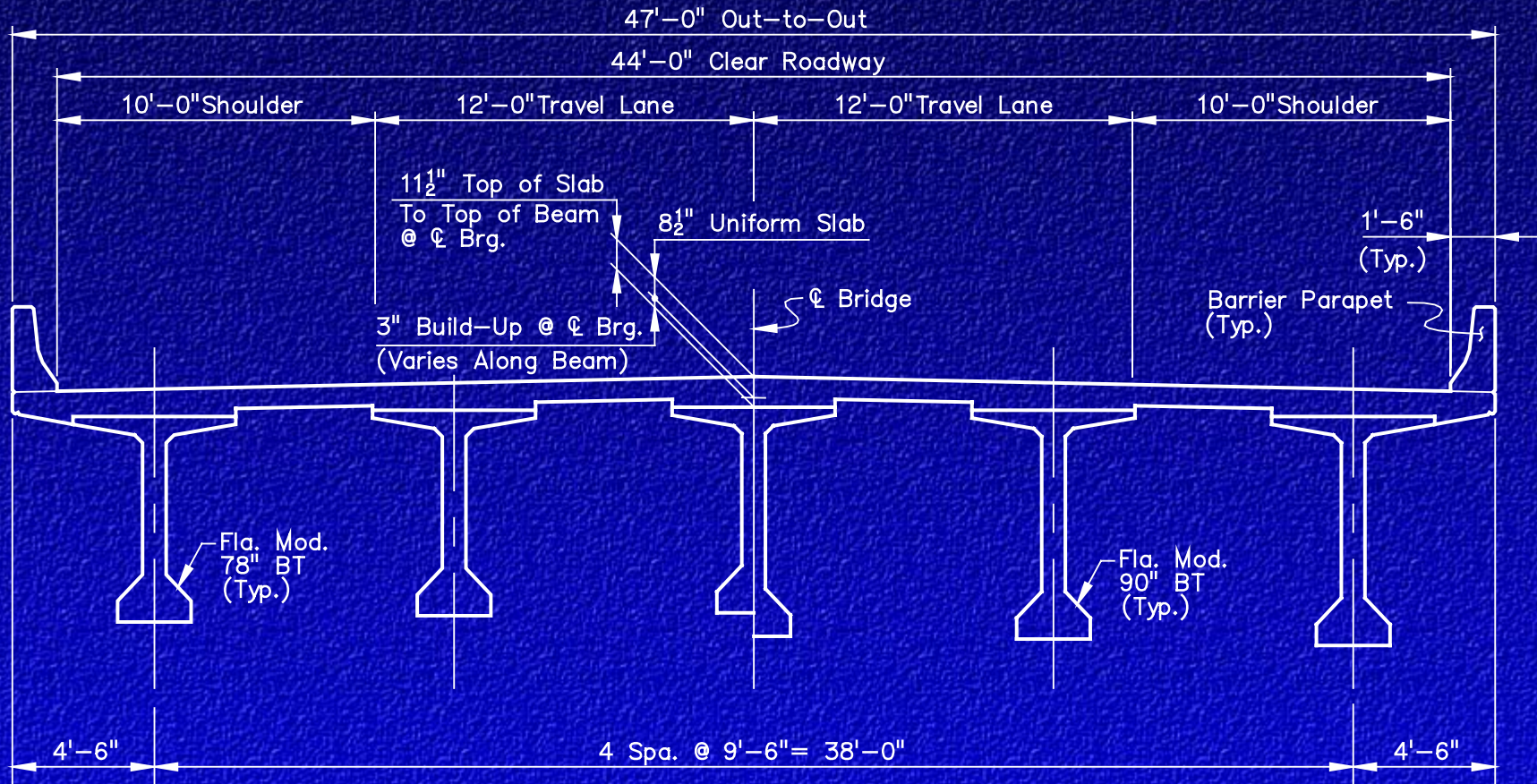


Two Span Design Example



- **Five girder segments**
- **Falsework towers at in-span splices**
- **Splice at pier in integral cap**
- **Two stage post-tensioning**
- **Seismic site**

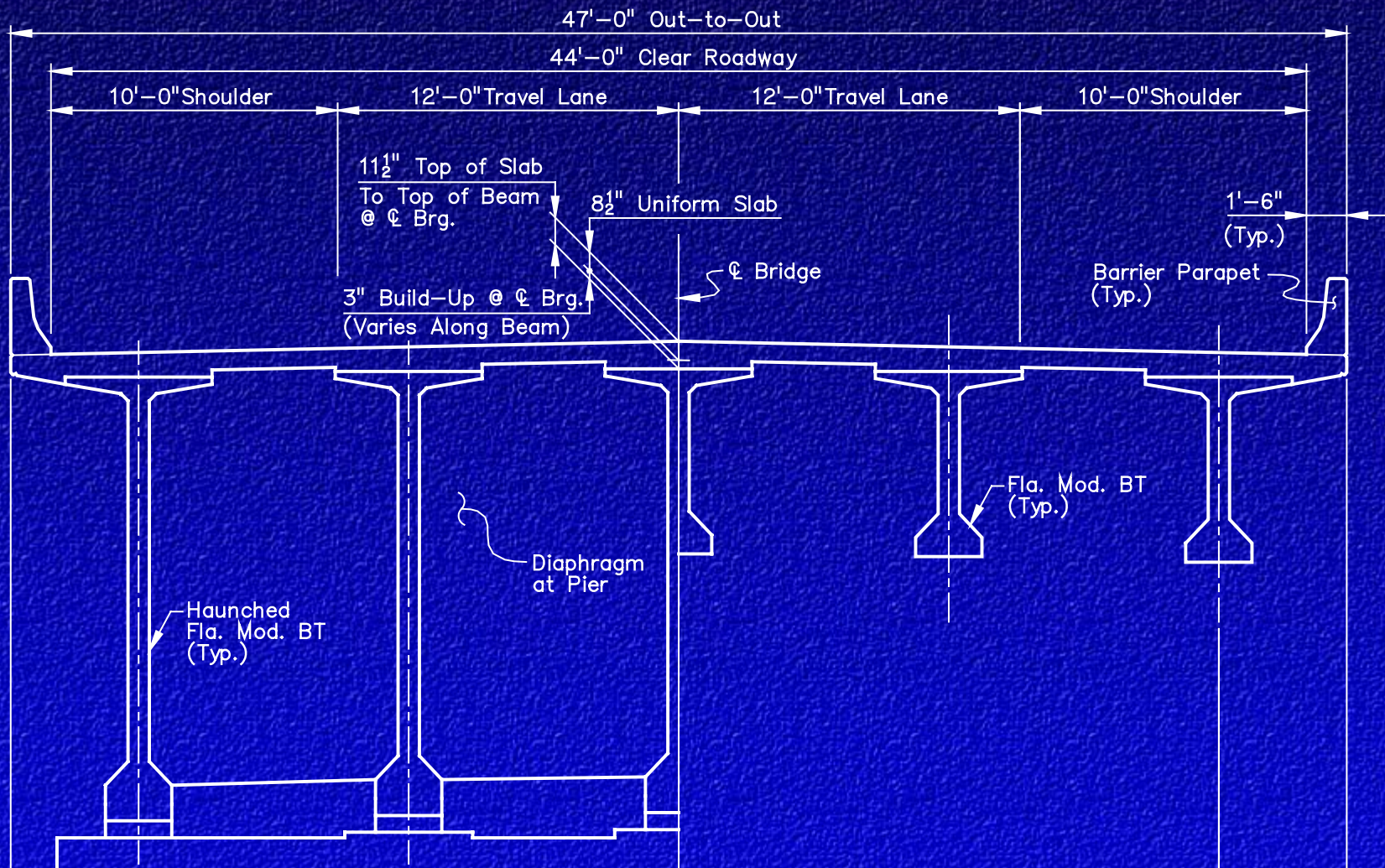
Three Span Design Example



END GIRDER SEGMENT

DROP-IN GIRDER SEGMENT

Three Span Design Example



HALF SECTION AT PIER

HALF SECTION AT SPLICE

