

# NCDOT ROADWAY PUBLIC HEARING MAP

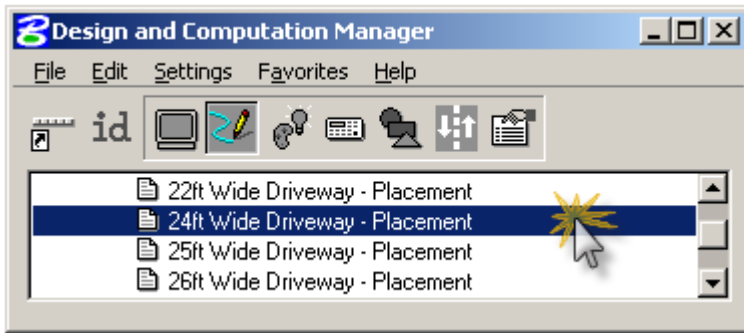
## CHAPTER 19: CONCRETE DRIVEWAYS

Navigate to RDY PHM Prop Driveway Cell Model.

The procedure for placing both the radius and drop type driveway cells is identical. This manual will show the procedure for radius type driveways only.

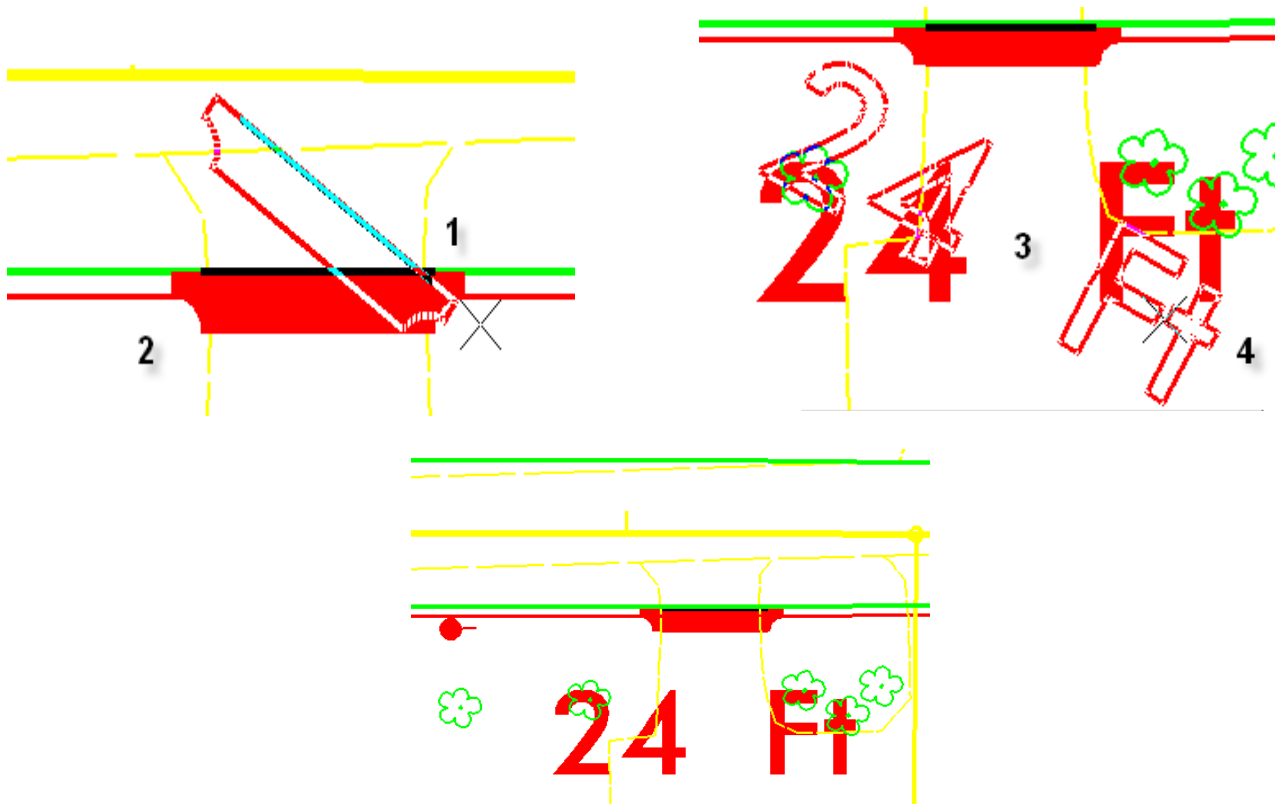
### Step 1.

Double-click on the desired driveway cell width.



### Step 2.

Place (1) the origin of the driveway cell on the right side of the driveway at the green EOP line. Rotate (2) flush with the green EOP line. Immediate place (3) and rotate (4) the driveway width label.



# NCDOT ROADWAY PUBLIC HEARING MAP

## **Hands of Review**

1. Navigate to the **Prop Driveway Cell** file model.
2. Place a 24' wide radius type driveway cell on the left driveway
  - Load up the **Driveway** saved view centered on screen the view area.
3. Place a 24' wide drop type driveway cell on the right driveway
  - (In the same saved view)