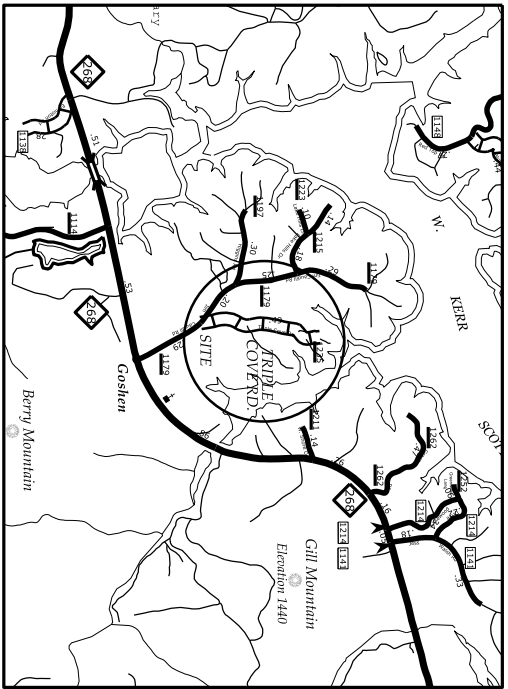


**CONTRACT:**

**TIP PROJECT:**



VICINITY MAP

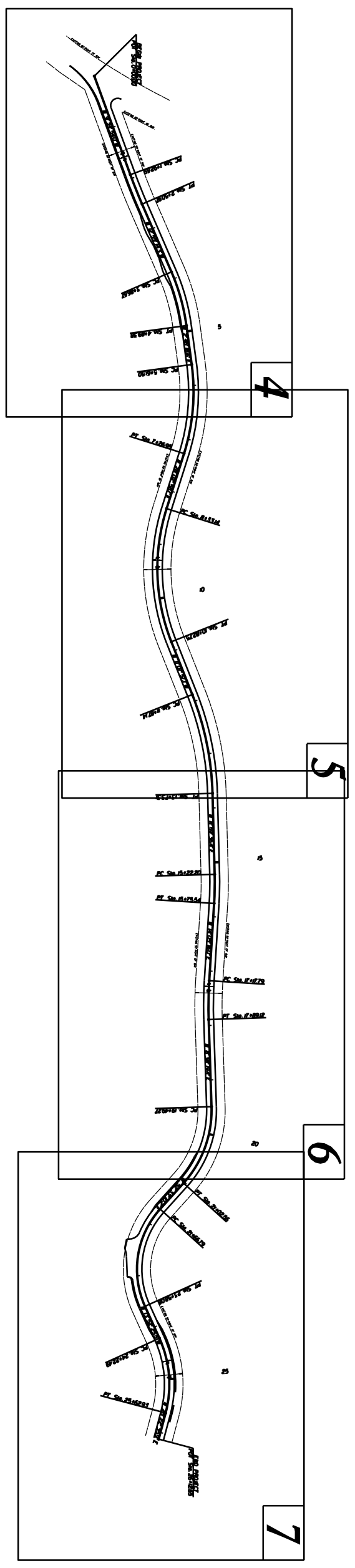
STATE OF NORTH CAROLINA  
 DIVISION OF HIGHWAYS

**WILKES COUNTY**

LOCATION: SR 1235 TRIPLE COVE RD. OFF OF SR 1179 JIM CAUDILL RD.

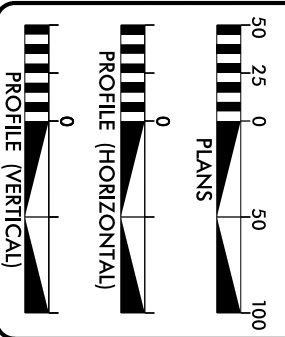
TYPE OF WORK: GRADE, DRAIN, BASE, AND PAVE

STATE	STATE PROJECT REFERENCE NO.	SHEET NO.	TOTAL SHEETS
N.C.	SR 1235	1	1
STATE PROJ. NO.	P.A. PROJ. NO.	DISCUSSION	
11c.097028		RIGHT OF WAY	



**SR 1235 TRIPLE COVE RD.**

**GRAPHIC SCALES**



**DESIGN DATA**

ADT =  
 ADT =  
 DHV = %  
 D = %  
 T = %  
 V = MPH  
 \* TTST = DUAL  
 FUNC CLASS =

**PROJECT LENGTH**

PROJECT LENGTH \_\_\_\_\_ 0.49 MILE

PREPARED IN THE OFFICE OF:  
**DIVISION OF HIGHWAYS**

709 STATESVILLE RD. NORTH WILKESBORO, NC 28659  
 2006 STANDARD SPECIFICATIONS  
 RIGHT OF WAY DATE: MICHAEL A. PETTYJOHN PE  
 DIVISION ENGINEER  
 LETTING DATE: DOUG J. TETZLAFF  
 DISTRICT ENGINEER

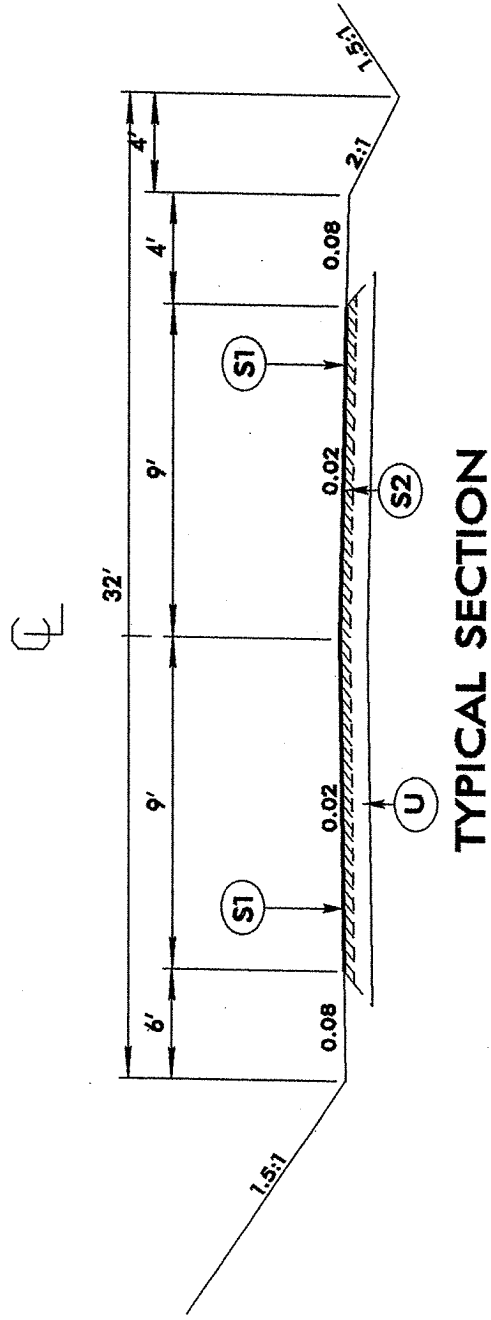
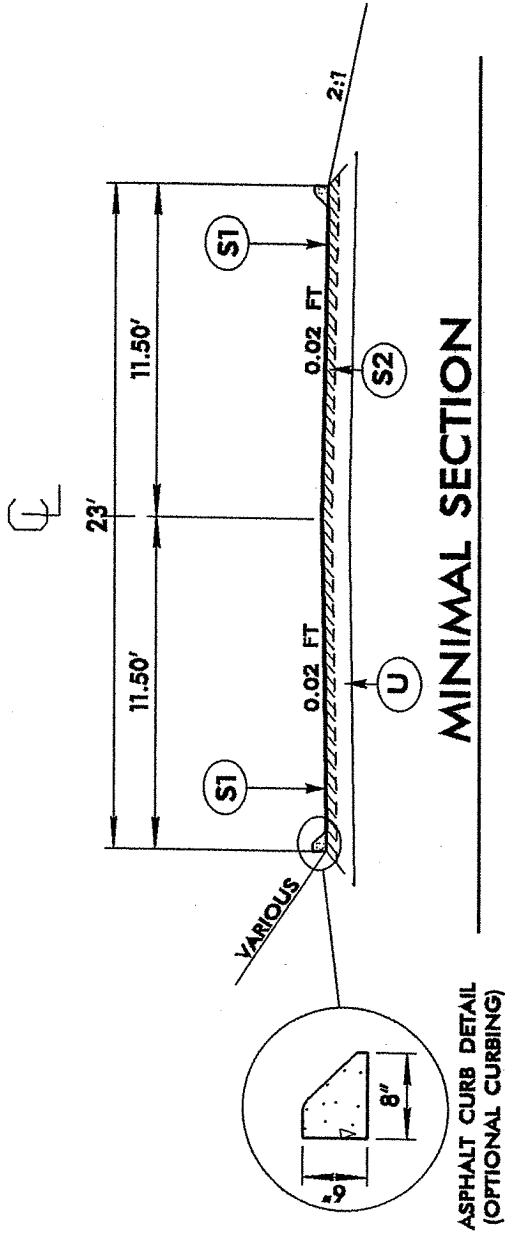
**DRAWN BY:**

A. L. ADAMS  
 FIELD WORK:  
 J. R. HODGES  
 T. D. HAMILTON

DIVISION OF HIGHWAYS  
 STATE OF NORTH CAROLINA



# TYPICALS AND PAVEMENT SCHEDULES



S1	ASPHALT SURFACE TREATMENT, TRIPLE SEAL (#70M)
S2	2" ASPHALT CONCRETE INTERMEDIATE COURSE TYPE 1 19.08
U	EXISTING GRAVEL BASE